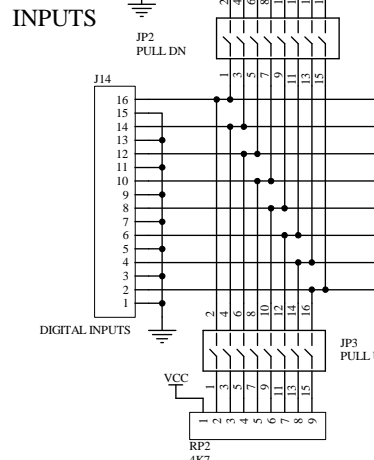
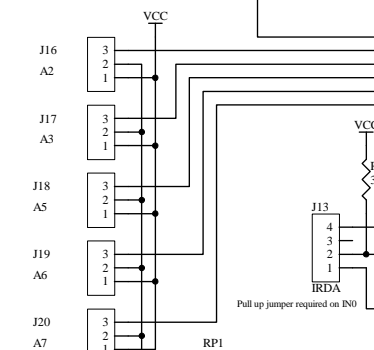
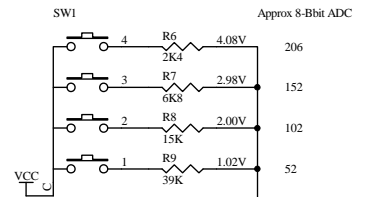
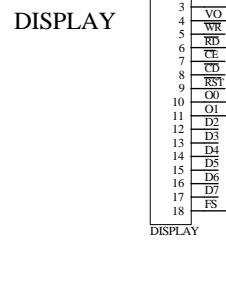
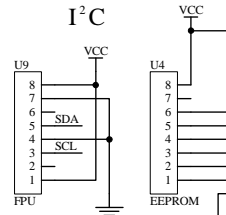
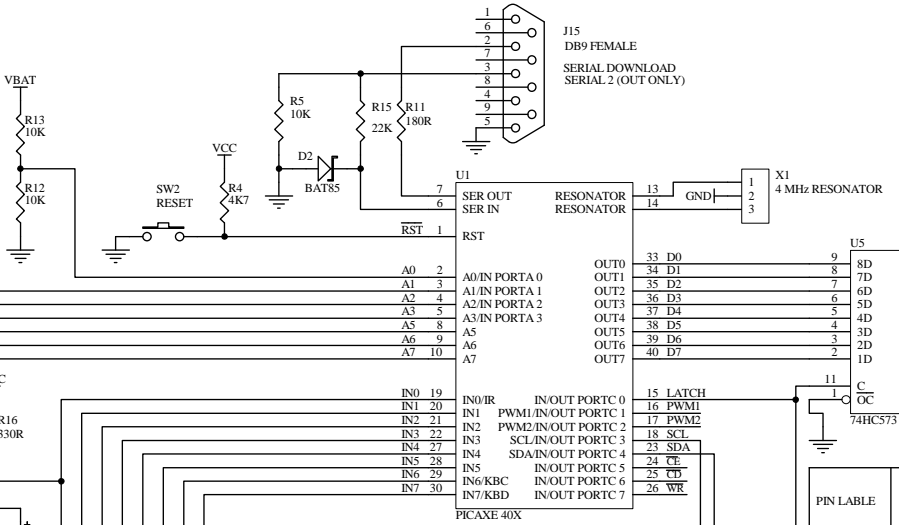


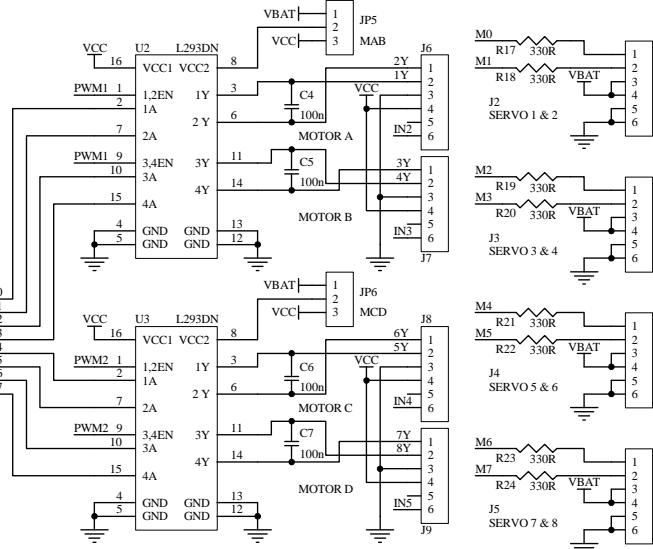
KEYPAD



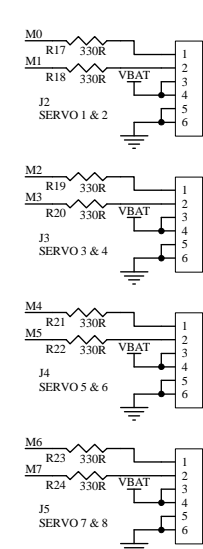
PICAXE 40X MICROCONTROLLER



MOTOR CONTROLLER

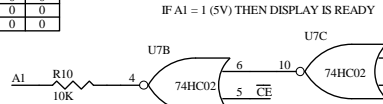


SERVO

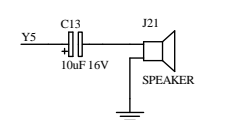


FUNCTION	PORTC 5		PORTC 7		PORTC 0	
	CE	WR	LATCH	CE	WR	LATCH
MOTORS	1	0	1	0	1	0
SERVO	1	0	1	0	1	0
DISPLAY WR	0	0	0	0	0	0
DISPLAY RD	0	0	1	0	0	0
KEYPAD	1	0	X	0	0	0
SPEAKER	1	0	0	0	0	0
SERIAL OUT	1	0	0	0	0	0
DIGITAL-OUT	1	0	0	0	0	0

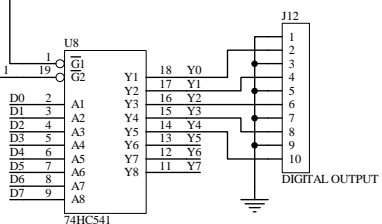
DISPLAY STATUS



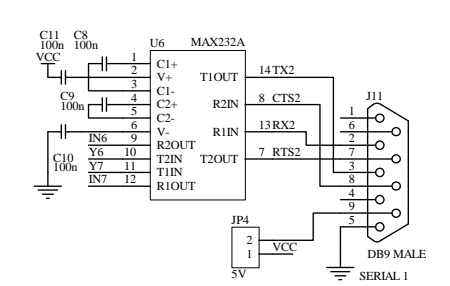
SOUND OUT



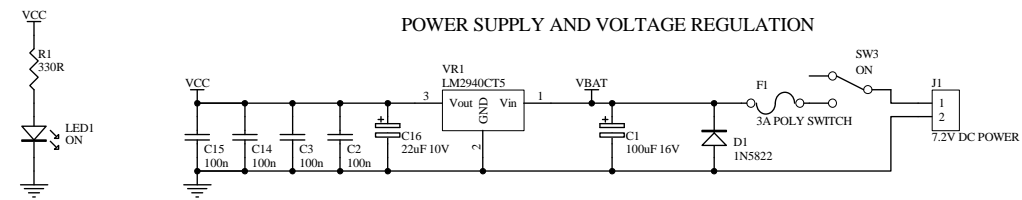
DIGITAL OUTPUTS



SERIAL PORT 1



POWER SUPPLY AND VOLTAGE REGULATION



Title EYEBOT JUNIOR CONTROLLER			
Size A3	Number SCH. OF ELECTRICAL, ELECTRONIC AND COMPUTER ENGINEERING - GENESIS -	Revision 1.04	UWA
Date: 2-Sep-2005	Sheet of 1 OF 1		
File: E:\genesis\PICAXE CONTROLLER.SCH Drawn By: IVAN NEUBRONNER			